

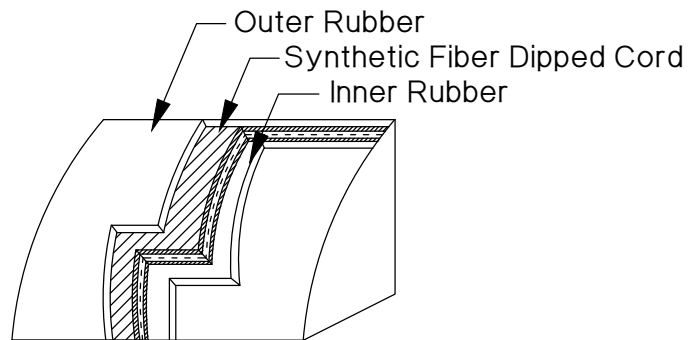
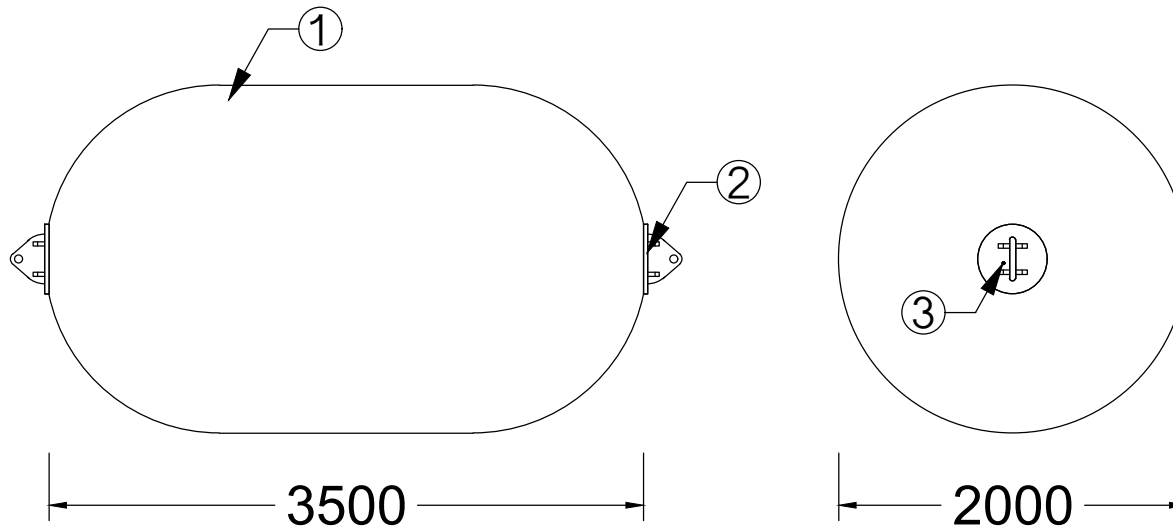
DATE	PRODUCT NUMBER	NUMBERING	MAPPING
05/27/26	QDHE-HX03	HT-02	W . X

FENDER PARAMETER TABLE

NO	NAME	PARAMETER	QTY	MATERIAL
1	SPHERE	2000-3500	1	RUBBER
2	FLANGE	D:300MM	1	Q235 HDG
3	AIR VALVE		1	Q235 HDG

REMARKS :

1. SIZE DEVIATION:±5%
2. PRODUCT SINGLE WEIGHT: 500 KGS
3. INITIAL PRESSURE: 50 kPa
REACTION FORCE : 875 kN
ENERGY ABSORPTION: 308 kN m
4. SHIPPING SIZE:3200MM-1800MM-1000MM
5. QUALITY MANAGEMENT STANDARD:
ISO-17357-1-2014
6. ITHOUT EXPLICIT PERMISSION, NO DRAWINGS ARE ALLOWED TO THIRD PARTIES.
7. ALL UNITS OF THE DRAWINGS ARE MILLIMETERS, UNLESS OTHERWISE SPECIFIED.



ANATOMY

DESIGN	W . X	SURFACES:
MAPPING	W . X	
AUDIT	L . M . H	
APPROVE	Y . S . X	